

Measuring light curtain **MH20** series

Features

- ◆RS485 synchronous scanning technology, strong anti interference function;
- ◆Various detection height, from 300mm to 2220mm;
- ◆Optic axis distance:20mm;
- ◆Dual switch control with two-way switch value and RS485 output;
- ◆Fault+alarm and fault diagnosis function.

Part number

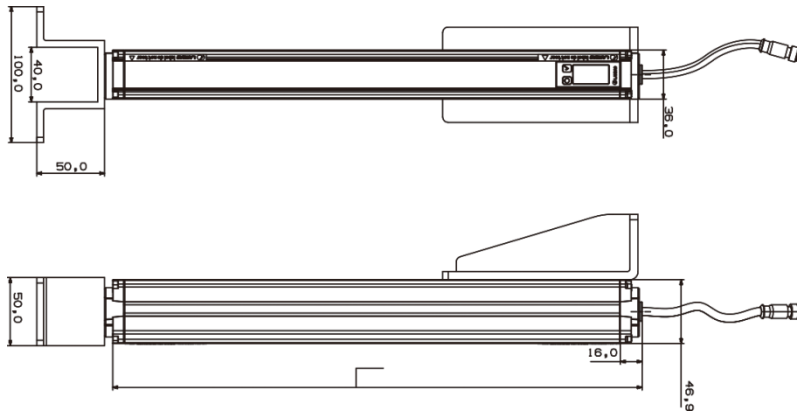
Axis number	16 axes	32 axes	48 axes	64 axes	80 axes
Emitter	MH20-T1605L-F2	MH20-T3205L-F2	MH20-T4805L-F2	MH20-T6405L-F2	MH20-T8005L-F2
Receiver	MH20-T1605LS1DA-F8	MH20-T3205LS1DA-F8	MH20-T4805LS1DA-F8	MH20-T6405LS1DA-F8	MH20-T8005LS1DA-F8
Detection area	300mm	620mm	940mm	1260mm	1580mm
Response time	5ms	10ms	15ms	18ms	19ms
Axis number	96 axes	112 axes			
Emitter	MH20-T9605L-F2	MH20-T11205L-F2			
Receiver	MH20-T9605LS1DA-F8	MH20-T11205LS1DA-F8			
Detection area	1900mm	2200mm			
Response time	20ms	24ms			

Technical specifications

Sensing distance	0~5m	Current consumption	<130mA@16 axis@30VDC
Axis distance	20mm	Scanning mode	Parallel light
Sensing target	Φ30mm opaque object	Operating temperature	-25℃~+55℃
Light source	Infrared light (850nm)	Ambient humidity	35%~95%RH
Output	NPN/PNP, NO/NC settable	Output indicator	OLED indicator LED indicator
Supply voltage	DC 15~30V	Insulation resistance	≥50MΩ
Leakage current	<0.1mA@30VDC	Impact resistance	15g, 16ms, 1000 times for each X, Y, Z axis
Voltage drop	<1.5V@Ie=200mA	Protection degree	IP67
Synchronization mode	Line synchronization	Housing material	Aluminium alloy
Load current	≤200mA (Receiver)		
Anti ambient light interference	50,000lx(incidence angle≥5°)		
Connection	Emitter: M12 4 pins connector+20cm cable; Receiver: M12 8 pins connector+20cm cable		
Protection circuit	Short circuit protection, Zener protection, surge protection and reverse polarity protection		
Impulse Withstand Voltage Test	Peak voltage 1000V, last for 50us, 3 times		
Vibration resistance	Frequency: 10...55Hz, amplitude: 0.5mm (2h per X,Y,Z direction)		

Measuring light curtain **MH20** series

Dimensions



光幕线序定义



公

- | | |
|------------|---|
| 1 - Brown | Power+ |
| 2 - White | Output (NPN, PNP or NO, NC are configurable) |
| 3 - Blue | Power- |
| 4 - Black | Output (NPN, PNP or NO, NC are configurable) |
| 5 - Grey | Synchronizing signal+ (synchronizing signal+ with emitter) |
| 6 - Pink | Synchronizing signal- (synchronizing signal- with emitter) |
| 7 - Purple | RS485A |
| 8 - Orange | RS485B |



公

- | | |
|-----------|--|
| 1 - Brown | Power+ |
| 2 - White | Synchronizing signal+ (synchronizing signal+ with receiver) |
| 3 - Blue | Power- |
| 4 - Black | Synchronizing signal- (synchronizing signal- with receiver) |